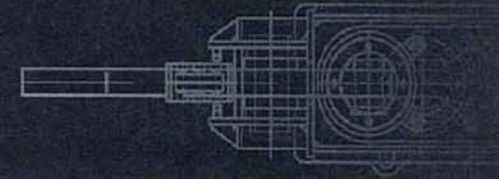


Mini Shear



- Lightweight design for stability of operating machine
- Trunnion mounting cylinder for compact design
- High strength and wear resistance materials for reliability
- Full line-up for mini excavators

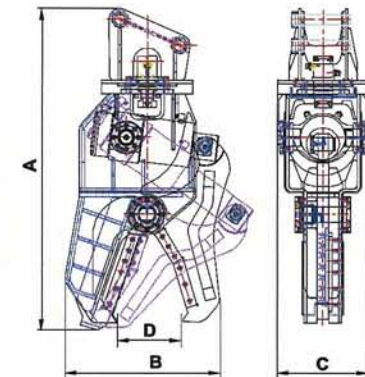
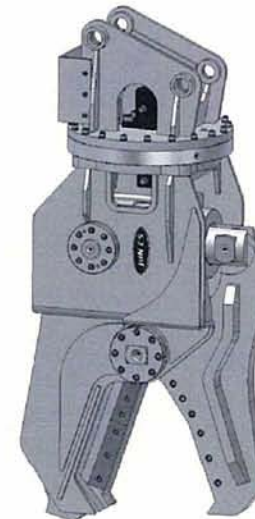
" Serving Industrial Markets since 1919 "

SOLD & SERVICED BY:

GENSCO

Call Toll Free in the USA 1-800-268-6797
www.genscoequip.com
 Email us: Info@genscoequip.com

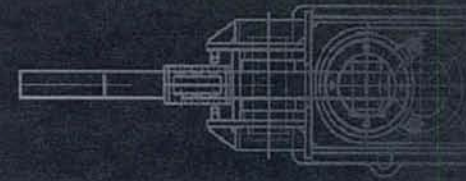
	Unit	SH020	SH030	SH050	SH050H
Weight	kg	190	260	430	500
Total Length	A mm	1,085	1,186	1,412	1,456
Total Width	B mm	478	576	665	665
Total Height	C mm	290	350	400	465
Jaw Opening	D mm	200	230	290	290
Pressure (cylinder)	bar	210	210	210	210
Oil Flow (cylinder)	lpm	20-45	30-75	40-80	40-80
Pressure (rotation)	bar	-	-	-	120
Oil Flow (rotation)	lpm	-	-	-	20~30
Force at Throat	ton	65	111	152	152
Force at Mid	ton	34	47	60	60
Force at Front	ton	22	26	33	33
Jaw Material		Hardox 500			
Rotating	-	360° Free Rotating		Hyd. Rotating	
Excavator	ton	0.7~2.0	1.5~3.0	2.5~5.0	4.5~8.0



* Above specification to be changed without prior notice.

GENSCO

Mini Shear shearing capa.



unit: mm

Material : mild steel									
Material									
	Ø×T	Ø	Ø×EA	Ø×EA	A×B×T	B×B×T	H×B×T	H×B×T	B×T
SH020	Ø75×4.5T	Ø30	Ø25X 4	N/A	60×60×5T	100×75×5T	75×40×5T	N/A	100×10T
SH030	Ø120×4.5T	Ø40	Ø25X 6	N/A	80×80×5T	125×75×5.5T	100×50×5T	N/A	100×12T
SH050/H	Ø210×5T	Ø50	Ø25X8	N/A	100×100×10T	150×125×8.5T	150×75×7T	125×125×10T	180 ×16T

unit: inch

SH020	Ø3"×3/16"T	Ø1"	Ø1"X 4	N/A	2.4"×2.4"×3/16T	4"×3"×3/16"T	3"×1.6"×3/16"T	N/A	4"×3/8"T
SH030	Ø4.7"×3/16"T	Ø1.6"	Ø1"X 6	N/A	3"×3"×3/16"T	5"×3"×3/16"T	4"×2"×3/16"T	N/A	4"×1/2"T
SH050/H	Ø8.3"×3/16"T	Ø2"	Ø1"X8	N/A	4"×4"×3/8"T	6"×5"×1/3"T	6"×3"×1/4"T	5"×5"×3/8"T	7" ×5/8"T

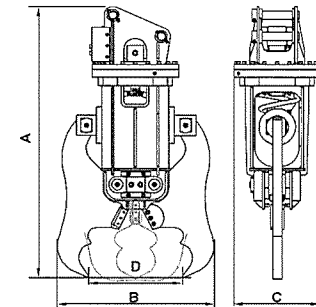
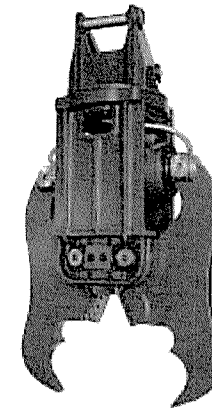
GENSCO

Mini Crusher

- Lightweight design for stability of operating machine
- One cylinder system for powerful crushing and speed
- High strength and wear resistance materials for reliability
- Full line-up for mini excavators

	Unit	CR010	CR020	CR030	CR050	CR050H
Weight	kg	105	180	330	420	490
Total Length	A	mm	900	1,105	1,328	1,460
Total Width	B	mm	568	688	764	844
Total Height	C	mm	260	290	350	465
Jaw Opening	D	mm	280	360	430	530
Pressure (cylinder)	bar	210	210	210	210	210
Oil Flow (cylinder)	lpm	15~35	20~45	30~75	40~80	40~80
Pressure (rotation)	bar	-	-	-	-	120
Oil Flow (rotation)	lpm	-	-	-	-	20~30
Force at Throat	ton	58	62	84	99	99
Force at Mid	ton	30	32	39	48	48
Force at Front	ton	20	22	28	32	32
Jaw Material		Hardox 500				
Rotating	-	360° Free Rotating			Hyd. Rotating	
Excavator	ton	0.7~2.0	1.5~3.0	2.5~5.0	4.5~8.0	4.5~8.0

* Above specification to be changed without prior notice.



GENSCO

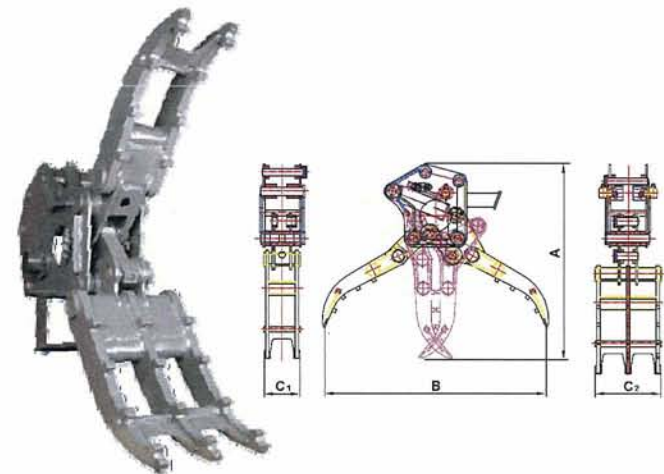
Mini Tilt Fork



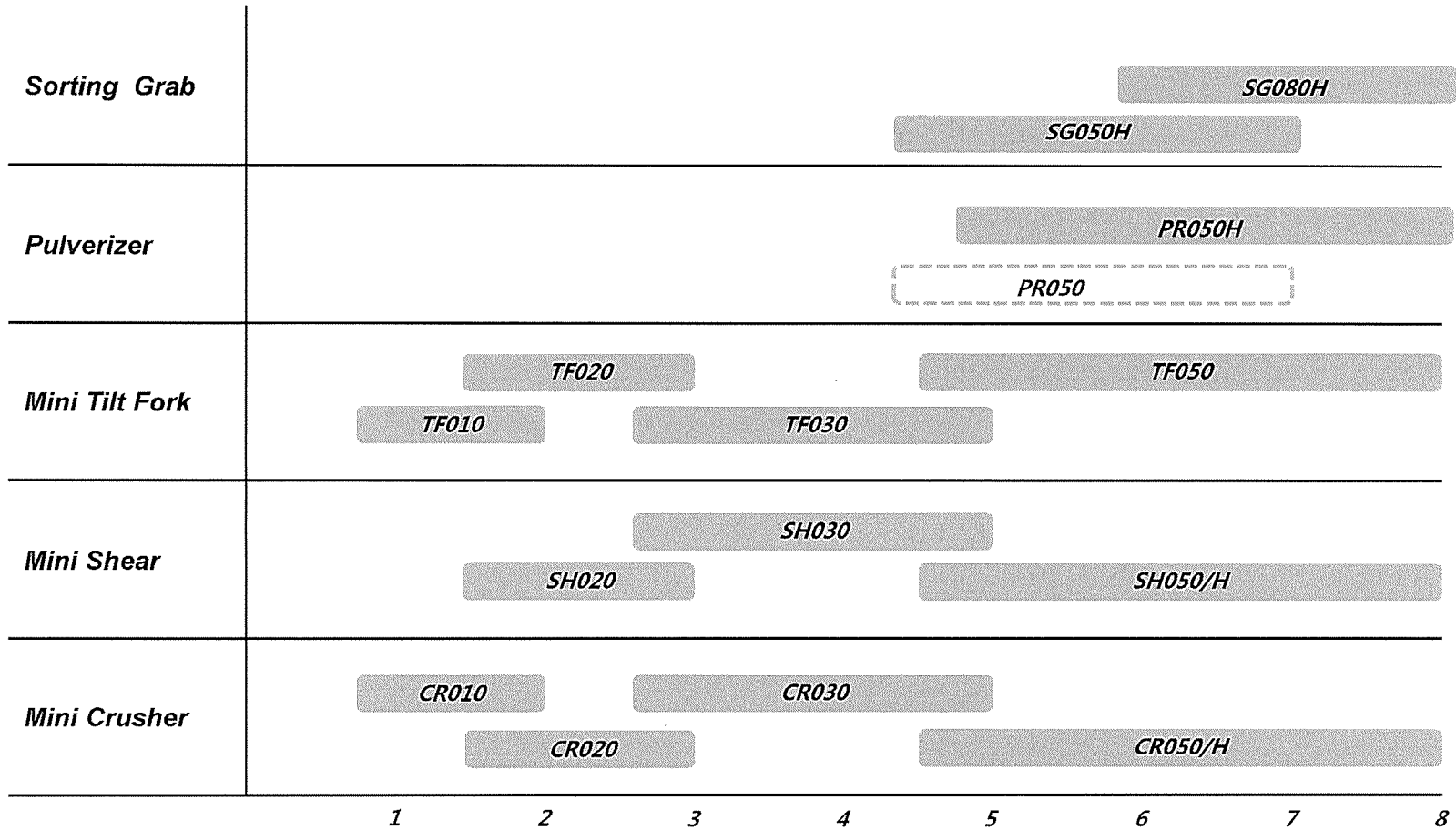
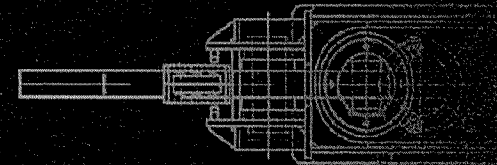
- Lightweight design for stability of operating machine
- 4-bar linkage system for fast motion and wide opening
- High strength and wear resistance materials for reliability
- Full line-up for mini excavators

	Unit	TF010	TF015	TF030	TF050	
Weight	kg	60	115	165	300	
Total Length	A	mm	750	950	1,100	1,195
Jaw Opening	B	mm	865	1,080	1,250	1,360
Upper Arm Width	C ₁	mm	124	170	202	230
Lower Arm Width	C ₂	mm	238	300	370	390
Pressure (cylinder)	bar	210	210	210	210	
Oil Flow (cylinder)	lpm	15~35	20~45	30~75	40~80	
Rotating	-		Fixed			
Excavator	ton	0.7~2.0	1.5~3.0	2.5~5.0	4.5~8.0	

* Above specification to be changed without prior notice.



GENSCO

GENSCO**Line-up for Mini Excavator**

Sorting Grab

SG080H

SG050H

Pulverizer

PR050H

PR050

Mini Tilt Fork

TF020

TF050

TF010

TF030

Mini Shear

SH030

SH020

SH050/H

Mini Crusher

CR010

CR030

CR020

CR050/H

1

2

3

4

5

6

7

8

Operating Weight of Excavator

SOLD & SERVICED BY:

" Serving Industrial Markets
since 1919 "**GENSCO**Call Toll Free In the USA 1-800-268-6797
www.genscoequip.com
Email us: info@genscoequip.com**GENSCO**