

LOGEMANN BROTHERS
MODEL 1212-31-SES METAL BAILER
SIDE EJECT-BALE DISCHARGE







BALE OPENING





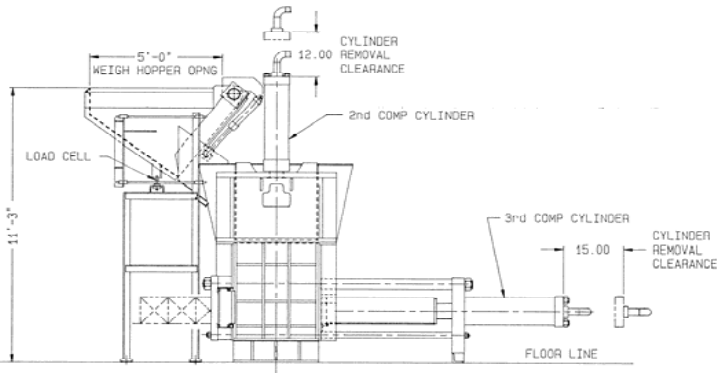
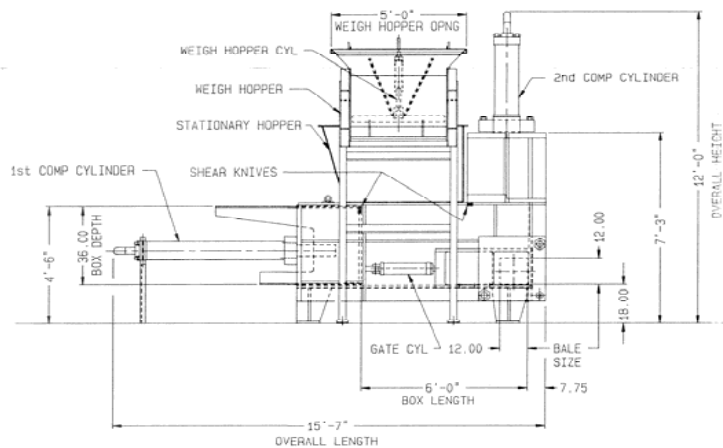
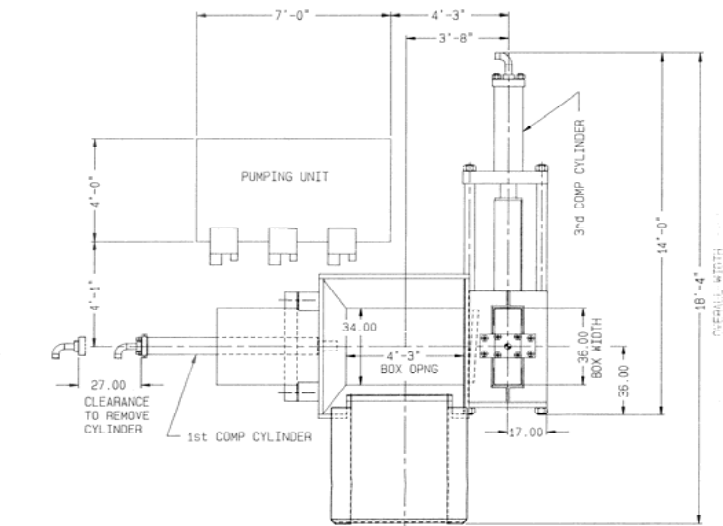
LBC - 730

LOGEMANN BROTHERS COMPANY

SERIAL # 15252

MACHINE - DATA
1212-321-SES/100 METAL BALER - MACHINE DATA

Box Size: 36" Wide x 36" Deep x 72" Long
Box Opening: 34" Wide x 51" Long
Hopper Loading Area: 43" Wide x 67.5" Long
Bale Size: 12" x 12" x Variable
Bale Weight: 185 Pounds Approximately
Baling Cycle: Approximately 33 Seconds
First Compression: One 8" Diameter Cylinder - 75 Tons Force
Second Compression: One 10" Diameter Cylinder - 118 Tons Force
Third Compression: One 12" Diameter Cylinder - 169 Tons Force
Bale Gate: ONE 5" Diameter Cylinder - 29.5 Tons Force
Hydraulic Circuit: 182 GPM to 1200 PSI
100 GPM to 2100 PSI
63 GPM to 3000 PSI
Electric Motors: One 100HP Main Pump Motor
One 2 HP Oil Cooler Pump Motor
One 2 HP Oil Cooler Fan Motor
Hyd. Reservoir Capacity: 650 Gallons
Control: Electro-Hydraulic Control is for Manual,
Semi-Automatic and Automatic Operation.
Total Shipping Weight: 64,000 Pounds Approximately



SPECIFICATIONS

BOX SIZE	36" DEEP X 36" WIDE X 72" LONG : 54 CU. FT.
BOX OPENING	34" WIDE X 51" LONG
WEIGH HOPPER OPENING	60" WIDE X 60" LONG
BALE SIZE & WEIGHT	12" X 12" X VARIABLE = 140 LBS. AVE.
BALING CYCLE	27 SEC. DRY, 30 SEC. APPROX. BALING CYCLE
HYD. OPERATING PRESSURE	3000 P.S.I. MAX.
1ST COMPRESSION RAM	7" DIA. PISTON, 57.7 TONS FORCE UNIT PRESSURE 89 P.S.I.
2ND COMPRESSION RAM	9" DIA. PISTON, 95.4 TONS FORCE UNIT PRESSURE 442 P.S.I.
3RD COMPRESSION RAM	11" DIA. PISTON, 143 TONS FORCE UNIT PRESSURE 1986 P.S.I.
ELECTRIC MOTOR	(1) 100 H.P.
CONTROLS	ELECTRICAL - MANUAL, SEMI-AUTO. & AUTOMATIC
SHIPPING WEIGHT	42,000 LBS (APPROX.)

SEP 29 '98

LOGEMANN BROTHERS CO.		220ct89
DATE 18 OCT 90	DRAWN BY SAR	MACHINE 1212-32 SES METAL BALER
F.U.O.	CHECKED BY R.O.	DRAWING TITLE GENERAL ARRANGEMENT LH MACH
SCALE .38"=1'-0"	APPROV. BY R.O.	DRAWING NO. L-1791