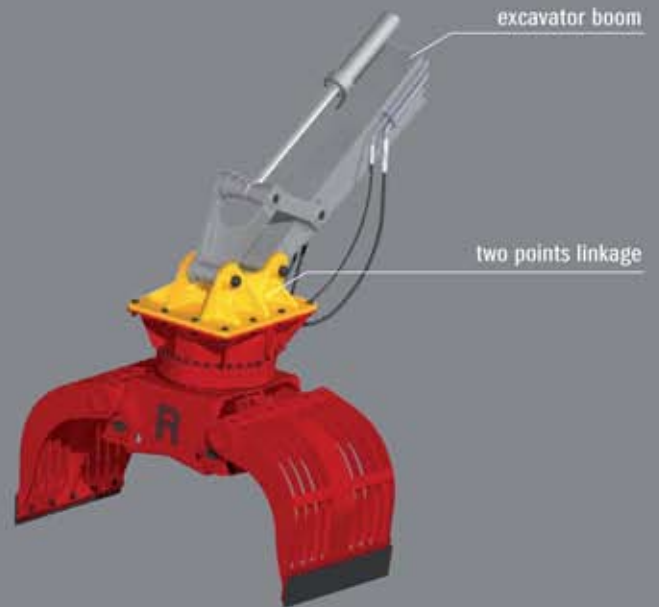
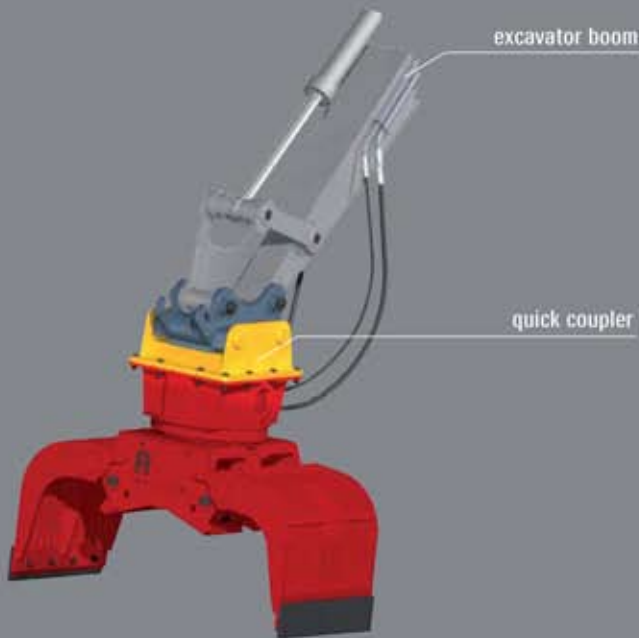
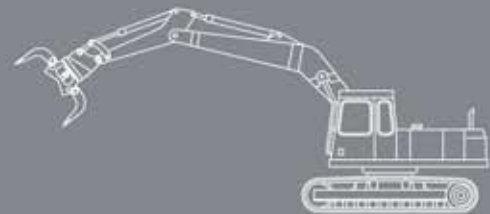


GENSCO



Demolition and sorting grabs	Excavator / Loader weight
RS100 (R605 / R104X)	1.7 - 4.4
RS195 - RS200 (R606)	3.3 - 6.6
RSG300F	6.6 - 13.2
RSG400F - RSG450F	11.0 - 16.5
RS500	14.3 - 22.0
RS600	15.4 - 22.0
RS800	20.9 - 27.6
RS1000	24.3 - 35.3
RS1150	26.5 - 35.3
RS1300	28.7 - 35.3

Demolition and sorting grabs	Excavator / Loader weight
RS100 (R605 / R104X)	1.7 - 4.4
RS195 - RS200 (R606)	3.3 - 6.6
RSG300F	6.6 - 13.2
RSG400F - RSG450F	11.0 - 16.5
RS500	14.3 - 22.0
RS600	15.4 - 22.0
RS800	20.9 - 27.6
RS1000	24.3 - 35.3
RS1150	26.5 - 35.3
RS1300	28.7 - 35.3



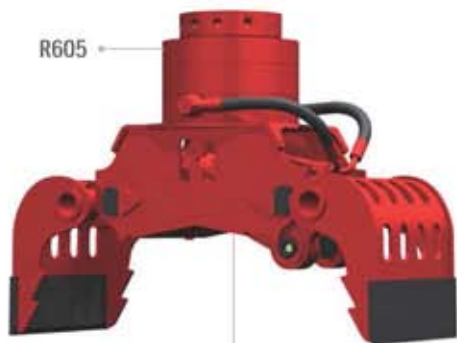
GENSCO AMERICA, INC.
800 268 - 6797
5307 DIVIDEND DR.
DECATUR, GEORGIA 30035
TEL: 770 808 - 8711
FAX: 770 808 - 8739

GENSCO EQUIPMENT (1990) INC
53 CARLAW AVE.
TORONTO, ON M4M 2R6
TEL: 416 465 - 7521
FAX: 416 465 - 4489

EMAIL: INFO@GENSCOEQUIP.COM
WWW.GENSCOEQUIP.COM

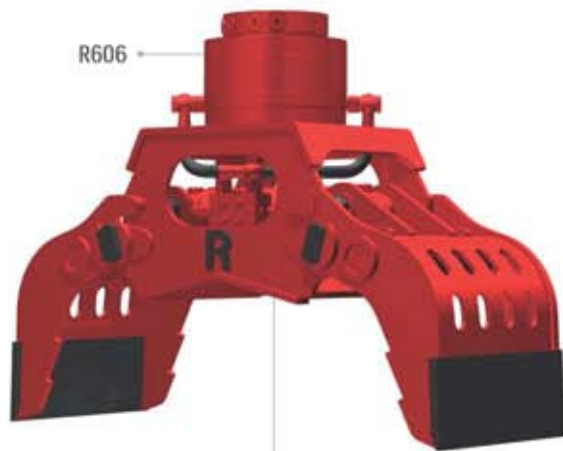
GENSCO

> RS100



R605

> RS195



R606

> RS100

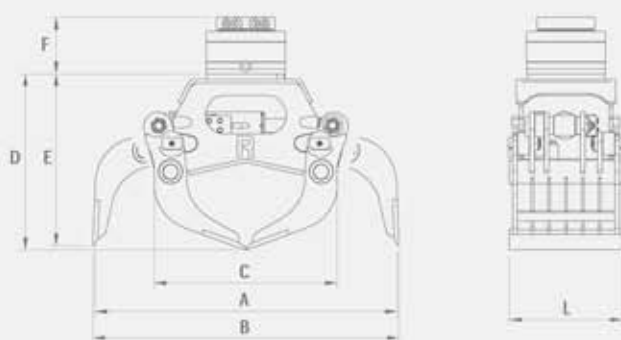


R104X

> RS200F



R606



Model	Weight	Sizes
	lbs	inch
R104X	99	11
R605	88	7
R606	121	7

Model	Capacity yd ³	Weight lbs	Pressure psi	Oil flow g/m	Pressure psi	Oil flow g/m	Tine force ton	Sizes +/- 1/2 inch					
								A	B	C	D	E	L
RS100	0.16	154	4350	5	3626	5	2.5	27	28	19	15	14	12
RS195	0.24	331	4350	8	3626	5	5.1	38	39	26	24	23	15
RS200F	0.24	331	4350	8	3626	5	5.1	38	39	26	24	23	15

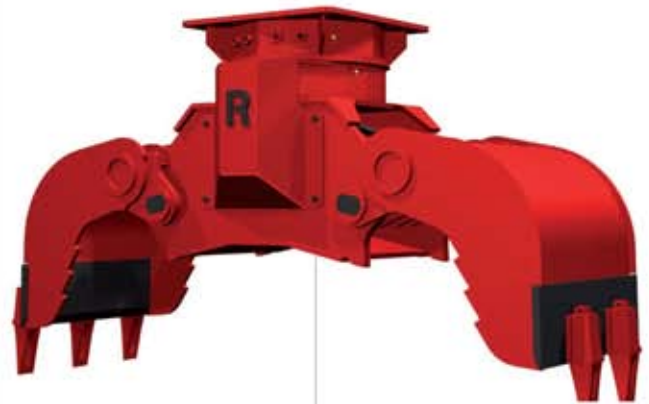


GENSCO

> RSG300F



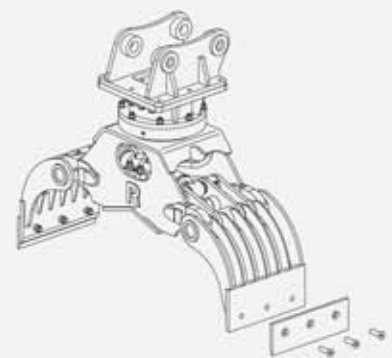
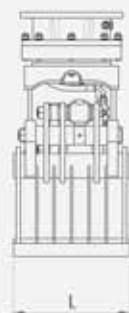
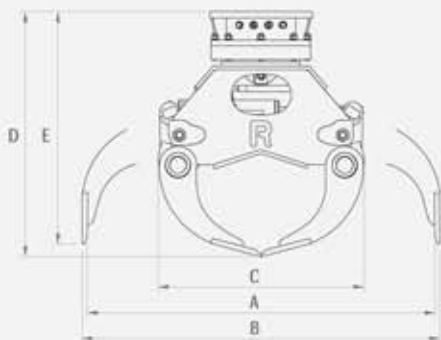
> RSG400 > RSG450



> RSG300



> RSG400F > RSG450F



Model	Capacity ft ³	Weight lbs	Pressure psi	Oil flow g/m	Pressure psi	Oil flow g/m	Tine force ton	Sizes +/- 1/2 inch					
								A	B	C	D	E	L
RSG300F	3.5	860	4350	13	3626	8	2.8	53	55	31	37	35	18
RSG400F	7.8	1653	4350	16	2176	8	3.6	71	72	44	47	38	24
RSG450F	9.2	1720	4350	16	2176	8	3.6	72	72	44	47	38	28



GENSCO

> RS500 > RS600



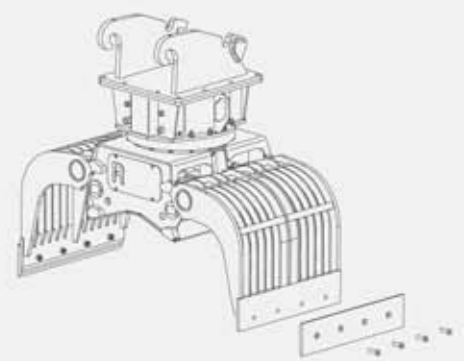
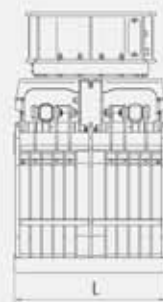
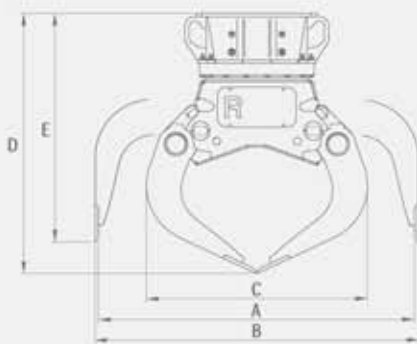
> RS800



> RS500 > RS600



> RS800

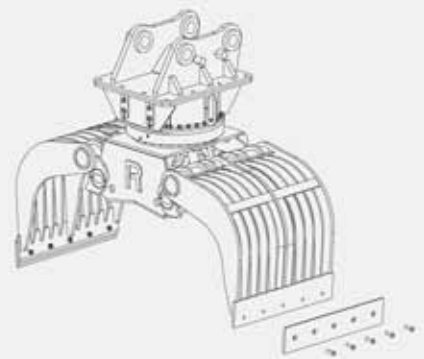
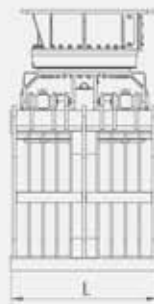
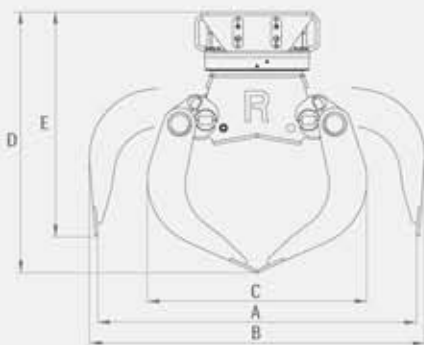


Model	Capacity yd ³	Weight ton	Pressure psi	Oil flow g/m	Pressure psi	Oil flow g/m	Tine force ton	Sizes +/- 1/2 inch					
								A	B	C	D	E	L
RS500	5/8	1.1	4641	21	2466	8	4.5	69	71	48	55	48	33
RS600	3/4	1.2	4641	21	2466	8	4.5	69	71	48	55	48	39
RS800	1	1.7	4641	32	2466	8	6.2	79	81	54	64	57	39



GENSCO

> RS1000 > RS1150 > RS1300



Model	Capacity yd ³	Weight ton	Pressure psi	Oil flow g/m	Pressure psi	Oil flow g/m	Tine force ton	Sizes +/- 1/2 inch					
								A	B	C	D	E	L
RS1000	1 1/3	1.9	4641	32	2466	8	5.6	87	90	59	69	59	33
RS1150	1 1/2	2	4641	32	2466	8	5.6	87	90	59	69	59	45
RS1300	1 3/4	2	4641	32	2466	8	5.6	87	90	59	69	59	51

