

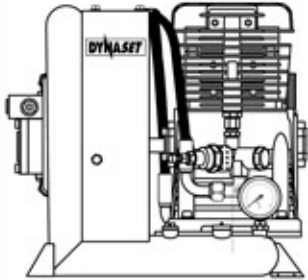
# HYDRAULIC AIR COMPRESSORS

## HK / HKL Series

# DYNASET

# GENSCO

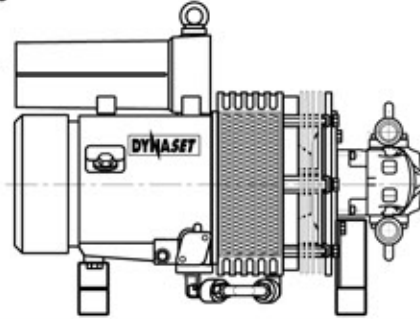
**DYNASET HYDRAULIC COMPRESSORS CONVERT HYDRAULIC POWER INTO COMPRESSED AIR. DYNASET COMPRESSOR UNITS ARE OF COMPACT CONSTRUCTION AND DESIGNED FOR EASY INTEGRATION INTO A HYDRAULIC SYSTEM OF ANY MOBILE OR STATIONARY MACHINE.**



**HK Series** DYNASET hydraulic piston-style air compressors. HK units are comprised of a frame-integrated pressure reservoir, relief and safety valves, pressure gauge, as well as, automatic speed control valve. HK compressors are designed to meet basic compressed air requirements such as pneumatic hand tools, cleaning and general service work.



**HKL Series** DYNASET hydraulic rotary vane air compressors. HKL units are provided with coiled lubrication system, oil separator, relief valve on the air intake and automatic speed control valve (up to HKL 1800). HKL compressors are to be installed on excavators, mining, and other large mobile machinery. HKL compressors are designed for continuous operation in demanding conditions.



HKL hydraulic compressor is a perfect substitute for towed compressor plant !!!



	COMPRESSED AIR		HYDRAULIC REQUIREMENTS		WEIGHT lbs
	air flow	pressure	oil flow	pressure, max	
	cfm	psi	gpm	psi	
<b>HK 400/8-23</b>	<b>14</b>	<b>116</b>	<b>6</b>	<b>3046</b>	<b>106</b>
<b>HK 1000/12-35</b>	<b>35</b>	<b>174</b>	<b>9</b>	<b>3046</b>	<b>176</b>
<b>HKL 800/10-26</b>	<b>28</b>	<b>116</b>	<b>7</b>	<b>3046</b>	<b>110</b>
<b>HKL 1300/8-38</b>	<b>46</b>	<b>116</b>	<b>10</b>	<b>3046</b>	<b>121</b>
<b>HKL 1800/8-46</b>	<b>64</b>	<b>116</b>	<b>12</b>	<b>3046</b>	<b>143</b>
<b>HKL 2600/8-65</b>	<b>92</b>	<b>116</b>	<b>17</b>	<b>3046</b>	<b>148</b>
<b>HKL 4100/8-113</b>	<b>145</b>	<b>116</b>	<b>30</b>	<b>3046</b>	<b>386</b>
<b>HKL 5000/8-135</b>	<b>177</b>	<b>116</b>	<b>36</b>	<b>3046</b>	<b>397</b>
<b>HKL 7500/8-176+12</b>	<b>265</b>	<b>116</b>	<b>46</b>	<b>3046</b>	<b>496</b>

Since 1919

GENSCO AMERICA, INC.

ACROSS USA 800 268-6797

5307 Dividend Dr., Decatur, Georgia 30035 • Tel: 770 808-8711 • Fax: 770 808-8739

GENSCO EQUIPMENT (1990) Inc

53 Carlaw Ave., Toronto, Canada M4M 2R6 • Tel: 416 465-7521 • Fax: 416 465-4489

email: info@genscoequip.com • url: www.genscoequip.com

# GENSCO