

> R30/80  
> R30/110



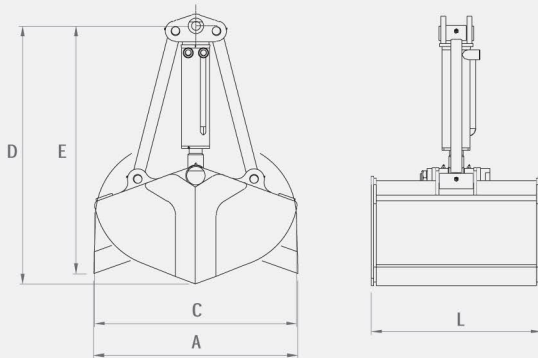
> R41/145CD  
> R41/155CD



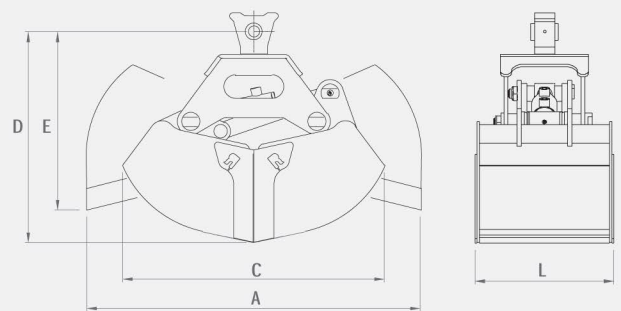
> R41/145  
> R41/155



> R30



> R41



Model	Capacity	Weight	Pressure	Oil flow	Tine force	Sizes +/- 1/2 inch				
	yd <sup>3</sup>	lbs	psi	g/m	ton	A	C	D	E	L
R30/80	0.04	143	4060	8	2.2	24	23	30	29	12
R30/110	0.07	187	4060	8	2.2	24	23	30	29	20
R41/145	0.08	243	4060	5	1	39	31	25	21	16
R41/155	0.12	287	4060	5	1	39	31	25	21	24

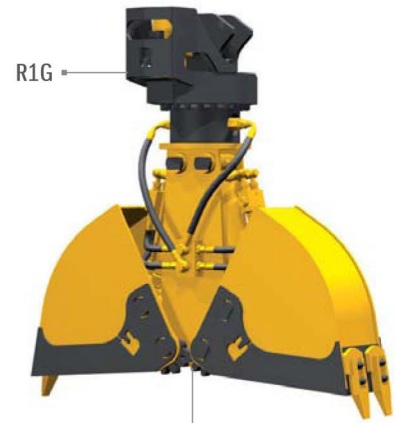
> R30/125 > R30/140 > R30/160 > R30/180



R103A



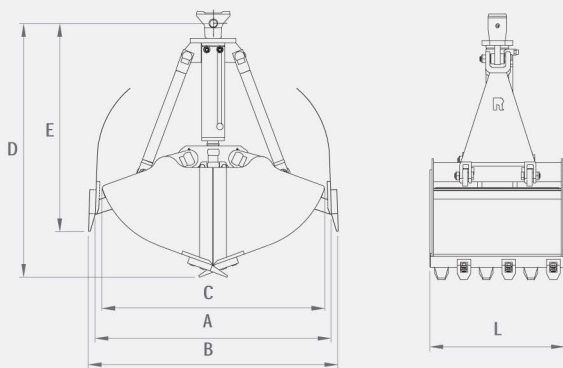
> R40/100



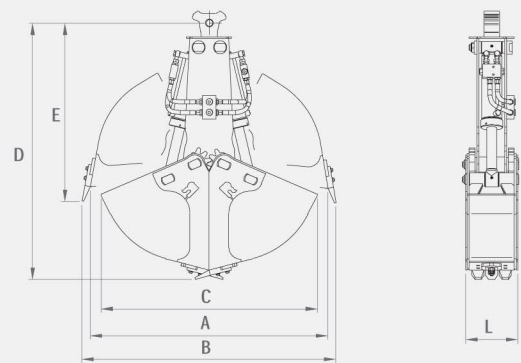
R1G



> R30

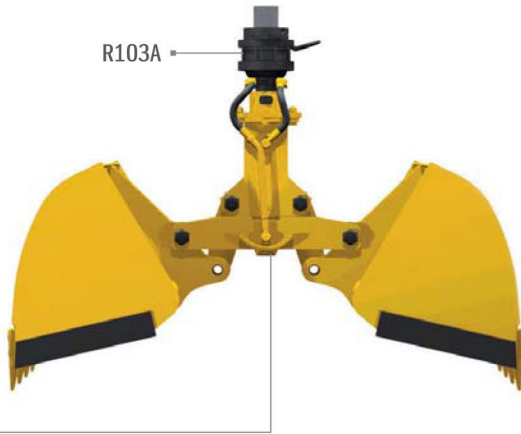


> R40



Model	Capacity yrd <sup>3</sup>	Weight lbs	Pressure psi	Oil flow g/m	Tine force ton	Sizes +/- 1/2 inch					
						A	B	C	D	E	L
R30/125	0.09	375	4060	18	3.1	43	45	40	46	48	10
R30/140	0.14	419	4060	18	3.1	43	45	40	46	48	16
R30/160	0.22	507	4060	18	3.1	43	45	40	46	48	24
R30/180	0.30	573	4060	18	3.1	43	45	40	46	48	32
R40/100	0.13	551	3626	24	4.6	47	51	43	51	35	11

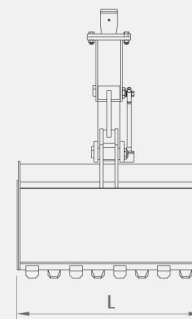
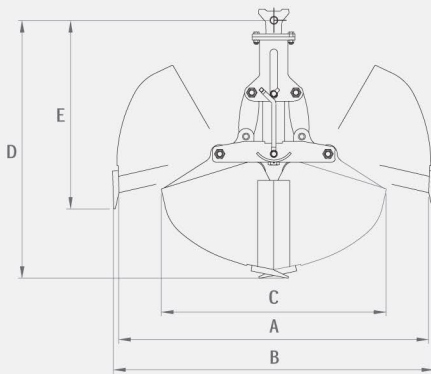
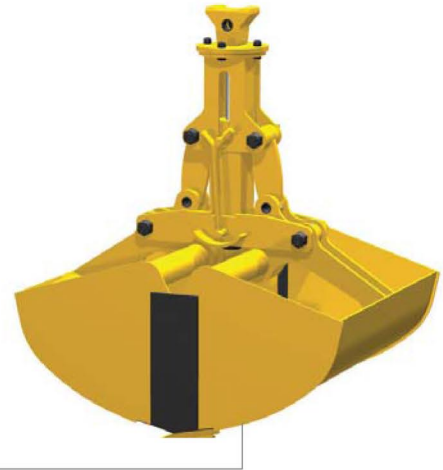
> R30



R103A

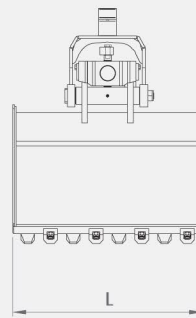
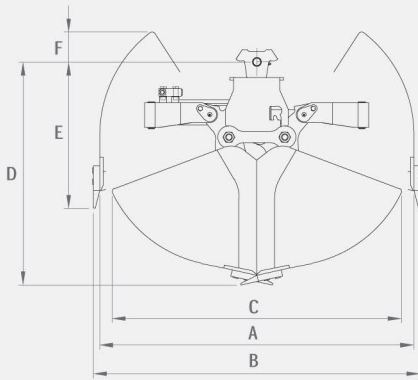
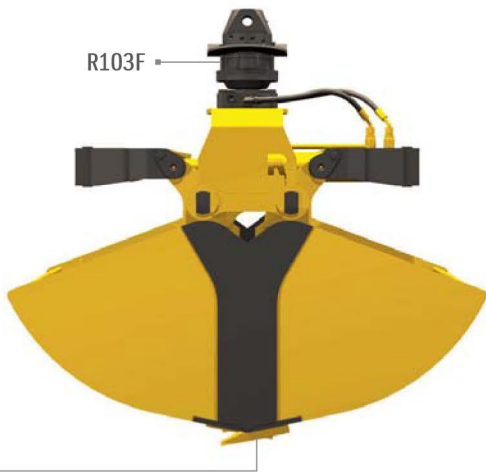


R104F



Model	Capacity	Weight	Pressure	Oil flow	Tine force	Sizes +/- 1/2 inch					
	yd <sup>3</sup>	lbs	psi	g/m	ton	A	B	C	D	E	L
R30/240	0.17	463	4060	13	1.9	61	63	44	51	37	16
R30/260	0.28	573	4060	13	1.9	61	63	44	51	37	26
R30/290	0.39	661	4060	13	1.9	61	61	44	51	37	36

> R74

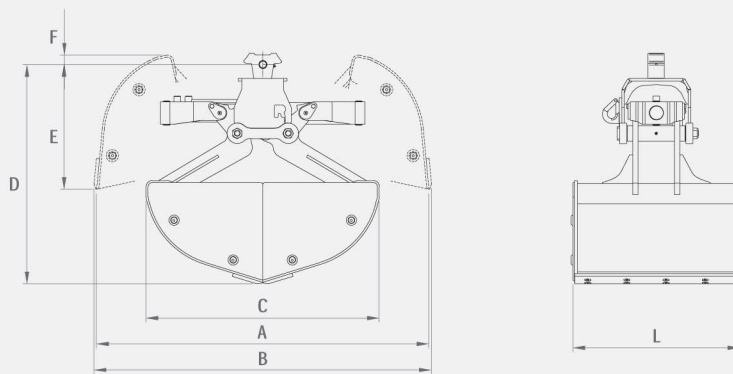


Model	Capacity yd <sup>3</sup>	Weight lbs	Pressure psi	Oil flow g/m	Tine force ton	Sizes +/- 1/2 inch						
						A	B	C	D	E	F	L
R74/200	0.25	615	4350	18	2.7	55	57	51	39	26	5	18
R74/250	0.35	650	4350	18	2.7	55	57	51	39	26	5	22
R74/300	0.40	685	4350	18	2.7	55	57	51	39	26	5	26
R74/400	0.50	750	4350	18	2.7	55	57	51	39	26	5	33
R74/500	0.65	815	4350	18	2.7	55	57	51	39	26	5	39

> R74AF

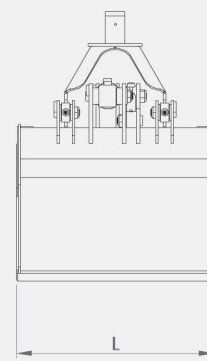
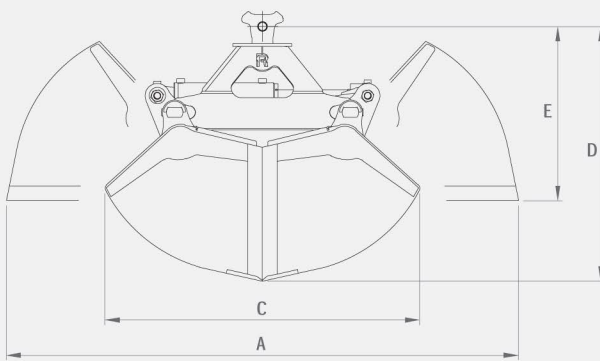
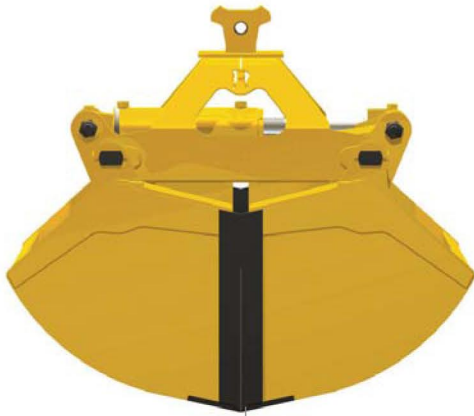
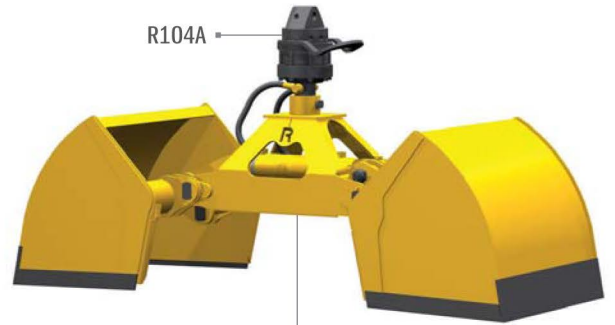


R103F



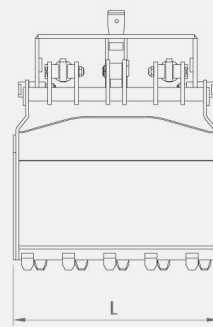
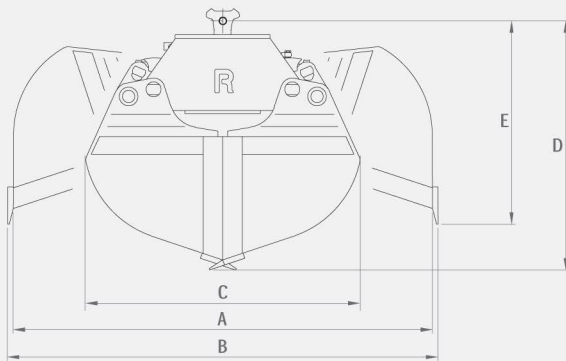
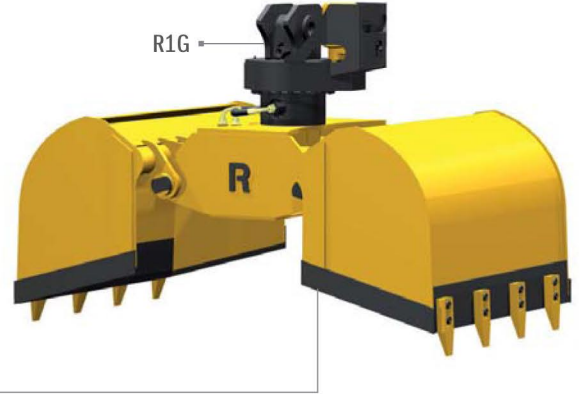
Model	Capacity yd <sup>3</sup>	Weight lbs	Pressure psi	Oil flow g/m	Tine force ton	Sizes +/- 1/2 inch						
						A	B	C	D	E	F	L
R74/200 AF	0.25	685	4350	18	2.6	64	65	45	42	24	2	17
R74/250 AF	0.35	715	4350	18	2.6	64	65	45	42	24	2	20
R74/300 AF	0.40	750	4350	18	2.6	64	65	45	42	24	2	24
R74/400 AF	0.50	815	4350	18	2.6	64	65	45	42	24	2	32
R74/500 AF	0.65	880	4350	18	2.6	64	65	45	42	24	2	40

> R75



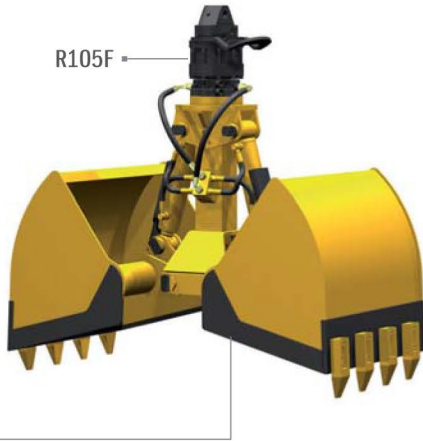
Model	Capacity	Weight	Pressure	Oil flow	Tine force	Sizes +/- 1/2 inch				
	yard <sup>3</sup>	lbs	psi	g/m	ton	A	C	D	E	L
R75/300	0.40	615	4060	18	2.3	83	51	42	29	20
R75/400	0.50	670	4060	18	2.3	83	51	42	29	26
R75/500	0.65	730	4060	18	2.3	83	51	42	29	31
R75/600	0.80	805	4060	18	2.3	83	51	42	29	39

> R41



Model	Capacity yrd <sup>3</sup>	Weight lbs	Pressure psi	Oil flow g/m	Tine force ton	Sizes +/- 1/2 inch					
						A	B	C	D	E	L
R41/300	0.35	730	4060	11	2.2	65	69	45	37	31	23
R41/400	0.50	950	4060	21	4.4	65	69	45	37	31	32
R41/500	0.65	1025	4060	21	4.4	65	69	45	37	31	40
R41/700	0.65	1500	4060	26	4.9	78	81	50	48	42	33
R41/1000	1.00	1839	4060	26	4.5	84	87	55	52	43	40
R41/1200	1.20	2005	4060	26	4.5	84	87	55	52	43	49

> R30/340  
> R30/360  
> R30/380



R105F



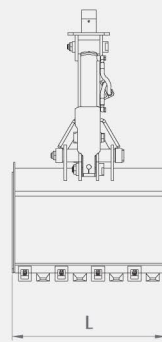
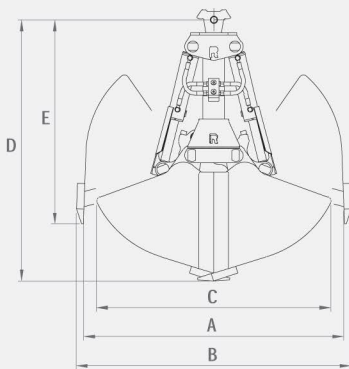
> R30Ø800  
> R30Ø1000



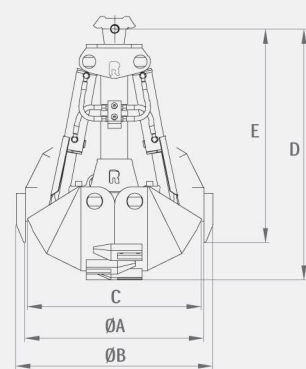
R105A



> R30



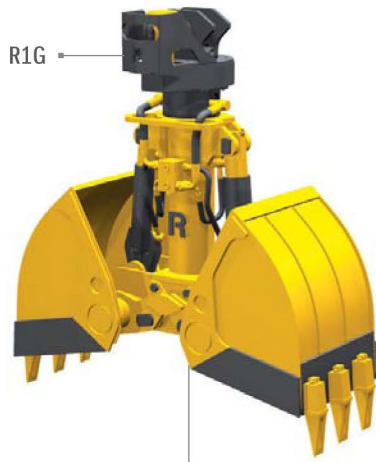
> R30Ø



Model	Capacity	Weight	Pressure	Oil flow	Tine force	Sizes +/- 1/2 inch					
	yard <sup>3</sup>	lbs	psi	g/m	ton	A	B	C	D	E	L
R30/340	0.25	750	4350	16	3.5	56	59	50	57	44	17
R30/360	0.35	840	4350	16	3.5	56	59	50	57	44	25
R30/380	0.45	925	4350	16	3.5	56	59	50	57	44	33
R30Ø800	0.10	770	4350	16	6.5	31	35	31	44	38	
R30Ø1000	0.20	925	4350	16	5.0	39	43	37	48	38	



> R31F



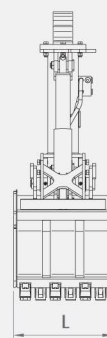
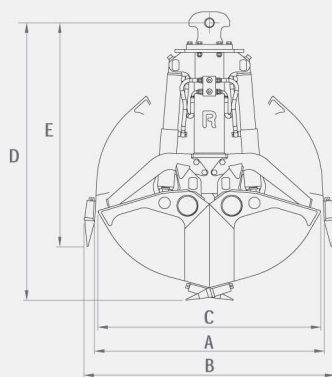
> R31F



> R31F

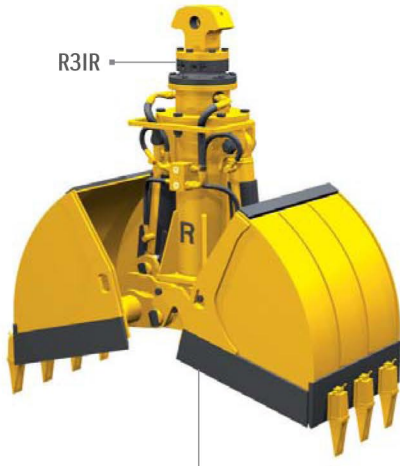


> R31



Model	Capacity	Weight	Pressure	Oil flow	Tine force	Sizes +/- 1/2 inch					
	yd <sup>3</sup>					lbs	psi	g/m	ton	A	B
R31F400	0.25	1170	4350	24	4.8	55	60	54	66	53	16
R31/400	0.25	1215	4350	24	4.8	55	60	54	66	53	16
R31F600	0.35	1280	4350	24	4.8	55	60	54	66	53	24
R31/600	0.35	1325	4350	24	4.8	55	60	54	66	53	24
R31F800	0.50	1390	4350	24	4.8	55	60	54	66	53	31
R31/800	0.50	1435	4350	24	4.8	55	60	54	66	53	31

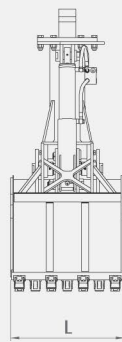
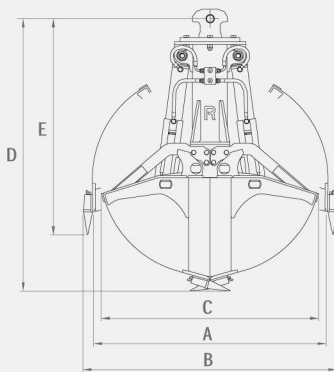
> R32/500 > R32/600 > R32/700 > R32/800



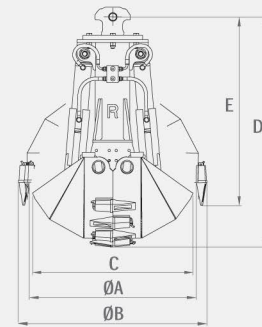
> R32Ø1200 > R32Ø1400



> R32

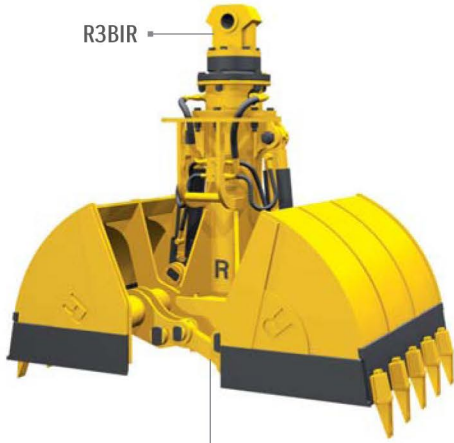


> R32Ø

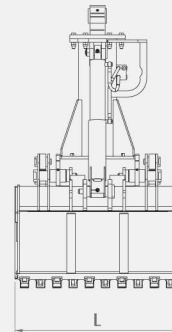
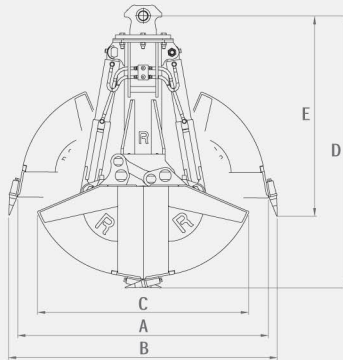
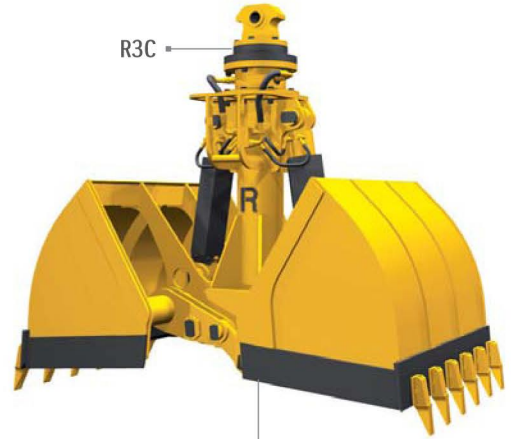


Model	Capacity	Weight	Pressure	Oil flow	Tine force	Sizes +/- 1/2 inch					
	yard <sup>3</sup>	lbs	psi	g/m	ton	A	B	C	D	E	L
R32/500	0.4	1709	4350	32	6.5	79	70	59	75	59	20
R32/600	0.5	1764	4350	32	6.5	79	70	59	75	59	24
R32/700	0.6	1819	4350	32	6.5	79	70	59	75	59	28
R32/800	0.7	1874	4350	32	6.5	79	70	59	75	59	31
R32Ø1200	0.3	1830	4350	32	10	47	52	42	63	51	
R32Ø1400	0.5	2094	4350	32	8.4	55	60	50	67	51	

> R34



> R35

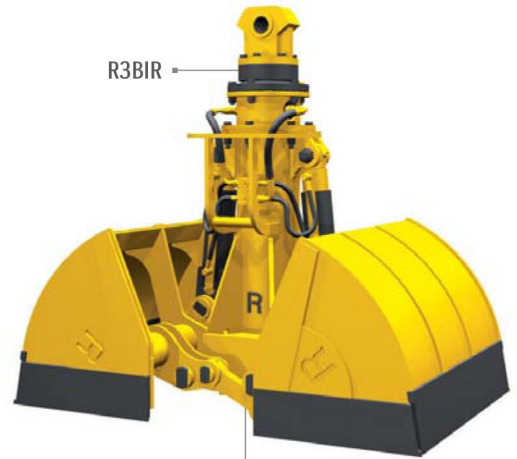


Model	Capacity	Weight	Pressure	Oil flow	Tine force	Sizes +/- 1/2 inch					
	yard <sup>3</sup>					A	B	C	D	E	L
R34/800	1	2640	4350	42	8.8	79	84	66	84	62	31
R34/1000	1.15	2905	4350	42	8.8	79	84	66	84	62	39
R34/1300	1.5	3170	4350	42	8.8	79	84	66	84	62	51
R34/1500	1.75	3415	4350	42	8.8	79	84	66	84	62	59
R35/1350	2.5	5610	4350	69	12.4	101	108	91	111	81	53
R35/1500	2.8	5720	4350	69	12.4	101	108	91	111	81	59
R35/1700	3.25	6830	4350	69	12.4	101	108	91	111	81	67

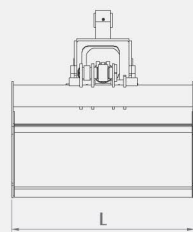
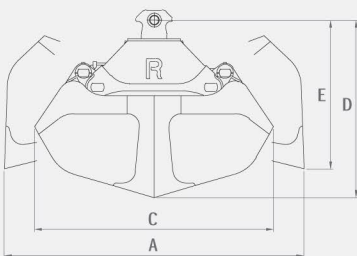
> R40



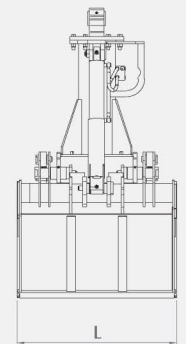
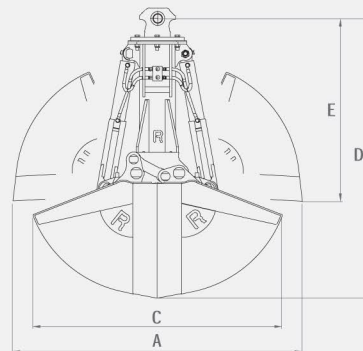
> R34C



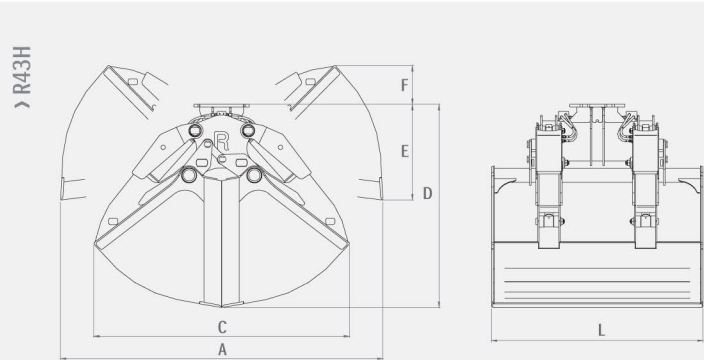
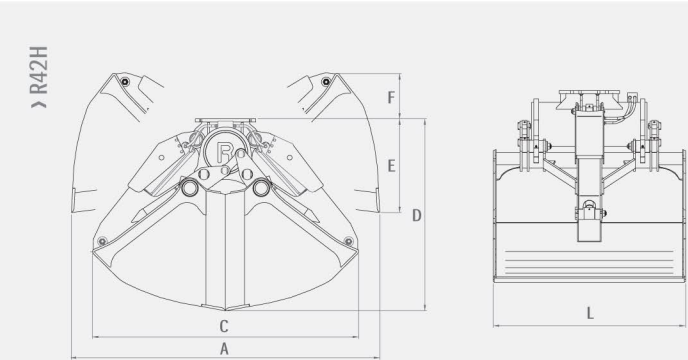
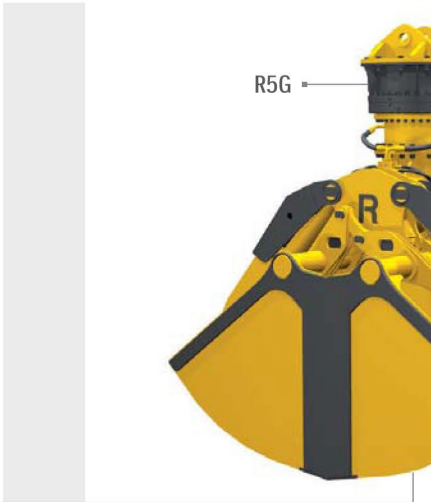
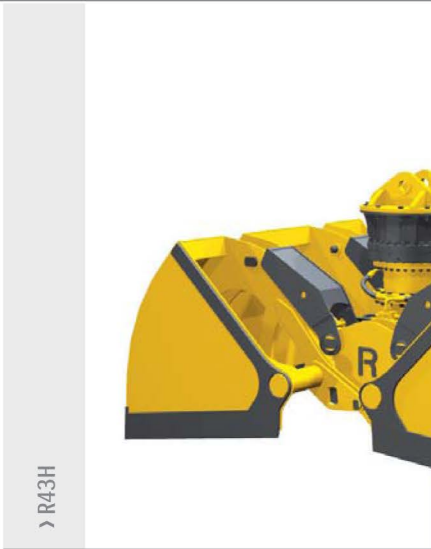
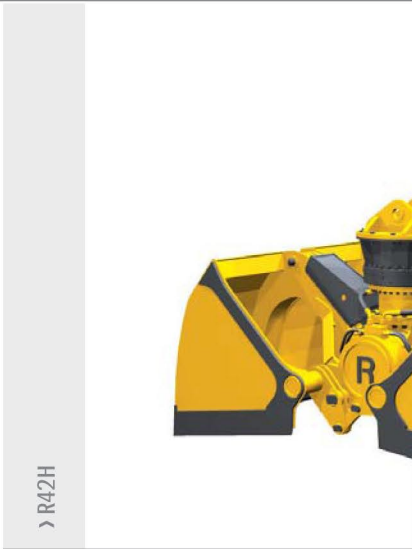
> R40



> R34C



Model	Capacity	Weight	Pressure	Oil flow	Tine force	Sizes +/- 1/2 inch				
	yard <sup>3</sup>	lbs	psi	g/m	ton	A	C	D	E	L
R40/1200	1.65	2670	4350	26	5.2	97	77	51	42	47
R40/1500	2.05	2965	4350	26	5.2	97	77	51	42	59
R40/1700	2.35	3130	4350	26	5.2	97	77	51	42	67
R34/1000C	1.75	2910	4350	42	7.2	94	80	50	56	39
R34/1300C	2.30	3175	4350	42	7.2	94	80	55	56	51
R34/1500C	2.60	3350	4350	42	7.2	94	80	55	56	59



Model	Capacity yrd <sup>3</sup>	Weight lbs	Pressure psi	Oil flow g/m	Tine force ton	Sizes +/- 1/2 inch					
						A	C	D	E	F	L
R42/3000H	3.90	6175	4640	50	10.5	126	108	79	19	19	59
R42/4000H	5.25	6835	4640	50	10.5	126	108	79	19	19	79
R42/5000H	6.55	7165	4350	50	10.5	126	108	79	19	19	98
R43/5000H	6.55	9480	4350	85	16.9	144	115	91	43	17	79
R43/6000H	7.85	9920	4350	85	16.9	144	115	91	43	17	94
R43/7000H	9.15	10360	4350	85	16.9	144	115	91	43	17	110
R43/8000H	10.45	10805	4350	85	16.9	144	115	91	43	17	126