



# PE SERIES HYDRAULIC ORANGE PEEL GRAPPLES



A high quality series of small, economical hydraulic grapples suitable for scrap steel and metals, solid waste and garbage, demolition debris etc.



*GENSCO- Specialists in scrap handling and processing. A full range of grapples, clamshell buckets and electric magnets.*



## CURB SIDE PICK UP OF BULKY ITEMS A PROBLEM?

Use a PE grapple with truck mounted hydraulic boom. A single operator can pick up and load bulky waste and trash from the side of the road.

**IDEAL UNIT FOR MUNICIPAL WASTE CREWS AND GARBAGE COLLECTION.**

Since 1919



GENSCO AMERICA, INC **ACROSS USA 800 268-6797**  
5307 Dividend Dr., Decatur, Georgia 30035 • Tel: 770 808-8711 • Fax: 770 808-8739

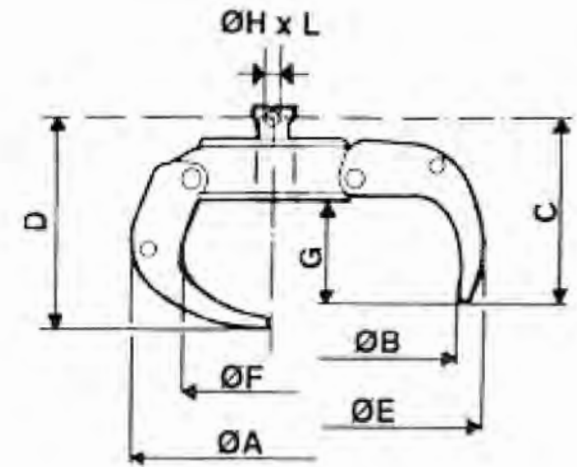
GENSCO EQUIPMENT (1990) Inc  
53 Carlaw Ave., Toronto, Canada M4M 2R6 • Tel: 416 465-7521 • Fax: 416 465-4489  
email: [info@genscoequip.com](mailto:info@genscoequip.com) • [www.genscoequip.com](http://www.genscoequip.com)



# GENSCO

## PE SERIES HYDRAULIC ORANGE PEEL GRAPPLES

DESIGNED FOR TRUCK MOUNTED HYDRAULIC ARMS, RUBBER TIRE LOADERS AND SMALL EXCAVATORS TO APPROXIMATELY 20 TONS IN WEIGHT.



MODEL	SIZE	MAX	MAX	NUMBER	UNIT	CLOSING	DIA A	DIA B	C	D	DIA E	DIA F	G
	Cubic Yards	P.S.I.	U.S.Gallons	OF	WEIGHT	FORCE (lbs)	Inches	Inches	Inches	Inches	Inches	Inches	Inches
				TINES	LBS	at max PSI							
PE/4-12	0.16	3625	11	4	330	1320	32	45	21	27	50	24	12.5
PE/4-18	0.25	3625	11	4	375	1100	35	50	22	30	54	28	13
PE/4-25	0.33	3625	14	4	550	2860	40	53	24	30	58	31	13
PE/4-35	0.5	3625	14	4	800	2530	47	67	31	38	72	35	17
PE/4-50	0.65	3625	14	4	850	2200	51	76	33	42	82	39	18.5
PE/5-12	0.16	3625	14	5	375	1320	32	45	21	27	50	24	12.5
PE/5-18	0.25	3625	14	5	420	1100	35	50	22	30	54	28	13
PE/5-25	0.33	3625	16	5	595	2860	40	53	24	30	58	31	13
PE/5-35	0.5	3625	16	5	905	2530	47	67	31	38	72	35	17
PE/5-50	0.65	3625	16	5	970	2200	51	76	33	42	82	39	18.5

All dimensions are +/- 1/2 inch

Weights, specifications do not include rotators or connecting linkages.

Special versions available. Please inquire. All units are available in "electric" styles. All specifications subject to change.

Since 1919

# GENSCO

GENSCO AMERICA, INC

**ACROSS USA 800 268-6797**

5307 Dividend Dr., Decatur, Georgia 30035 • Tel: 770 808-8711 • Fax: 770 808-8739

GENSCO EQUIPMENT (1990) Inc

53 Carlaw Ave., Toronto, Canada M4M 2R6 • Tel: 416 465-7521 • Fax: 416 465-4489

email: [info@genscoequip.com](mailto:info@genscoequip.com) • [www.genscoequip.com](http://www.genscoequip.com)

