

# GENSCO



## DYNAMITE

ROTATING PULVERISER

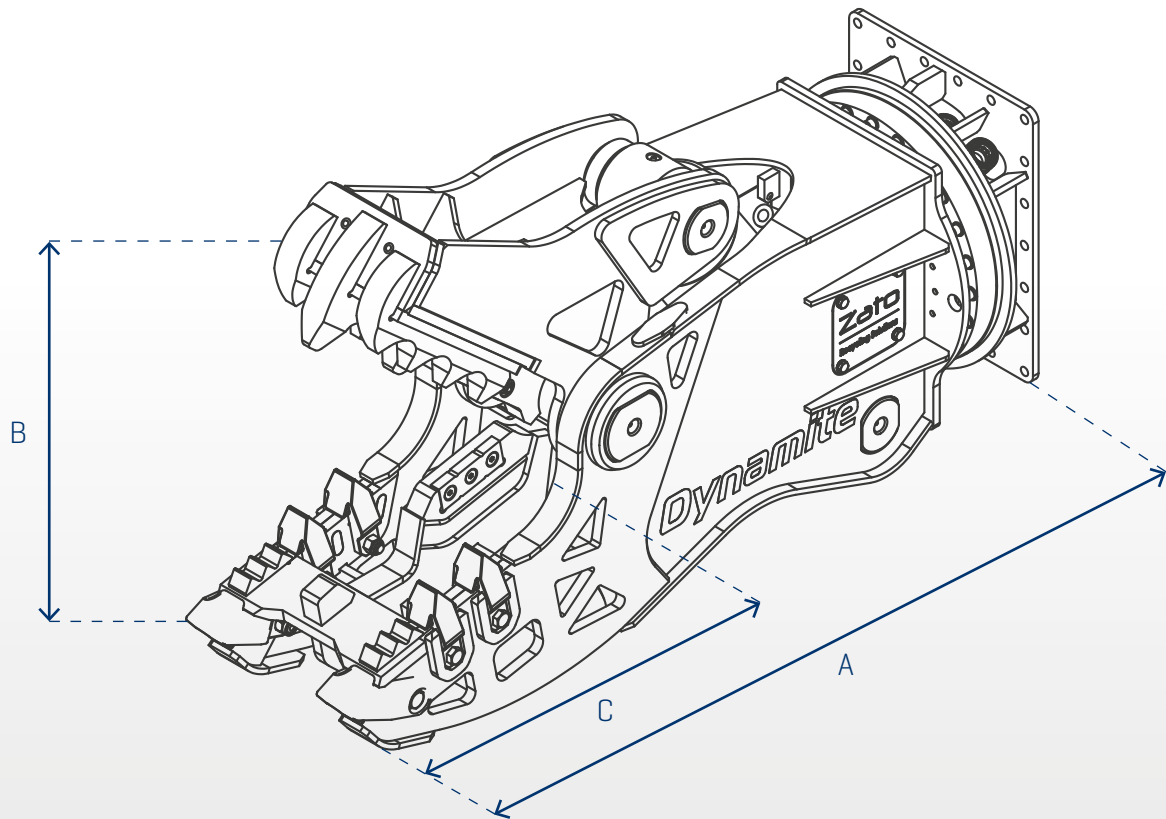


Zato  
Dynamite  
DPR

**See All Our Demolition  
Attachments**



# DYNAMITE ROTATING PULVERISER



TECHNICAL DATA		RPZ07	RPZ10	RPZ15	RPZ20	RPZ30
Weight [excluding mounting bracket]	Kg	750	1150	1700	2420	3210
A - Reach [excluding mounting bracket]	mm	1600	1840	2115	2330	2570
B - Jaw opening	mm	600	660	722	780	920
C - Jaw depth	mm	575	666	732	847	940
Throat force at 350 bar	t	280 bar 110	144	202	240	360
Apex force at 350 bar	t	280bar 50	77	104	125	250
Tip force at 350 bar	t	280 bar 35	48	63	85	120
Excavator weight 3rd member/stick mounting	t	6\10	12\14	16\20	22\30	28\39
Cylinder recommended pressure	bar	250\280	300\350	300\350	300\ 350	300\350
Cylinder recommended flow	L\min	100\120	110\180	180\200	250\300	300\350
Rotation recommended pressure	bar	110\120	110\120	110\120	110\120	110\120
Rotation recommended flow	L\min	15	15	20	20,00	28

Technical specification can be modified without any prior notice and without incurring in any obligation.

All rotating pulverisers Dynamite series have a 12-month warranty, excluding wear parts.

The data don't include the connection plate.

All data regarding excavator weight are approximate. Always refer to the loading diagrams of the excavators.

## DYNAMITE

ROTATING PULVERISER

The **rotating pulveriser rpz series** allows the operator to face the phases of the primary and secondary demolition with only one tool. Accurate and fast as a crusher, with its 360° hydraulic rotation, it is powerful and productive thanks to its wide jaws, typical of a pulveriser.

### MAIN FEATURES

#### 1 - COMPACT FRAME

The frame is solid and durable, the cylinder is completely shielded, ensuring complete protection against clashes and accidental shock during work. The main body is a reinforced box made of high resistance steel [700MPa] as is the mobile jaw, with anti-wear steel parts [400HBW] to cope with a range of stressors.

#### 2 - LARGE INSPECTION PANELS

Easy access to the main component in maintenance areas.

#### 3 - CYLINDER

Robust design with very high bores, to achieve exceptional cutting forces, positioned as to be fully protected during all work phases.

#### 4 - REGENERATION VALVE

Standard on all models, increase cutting and cycle speed.

#### 5 - BLADES

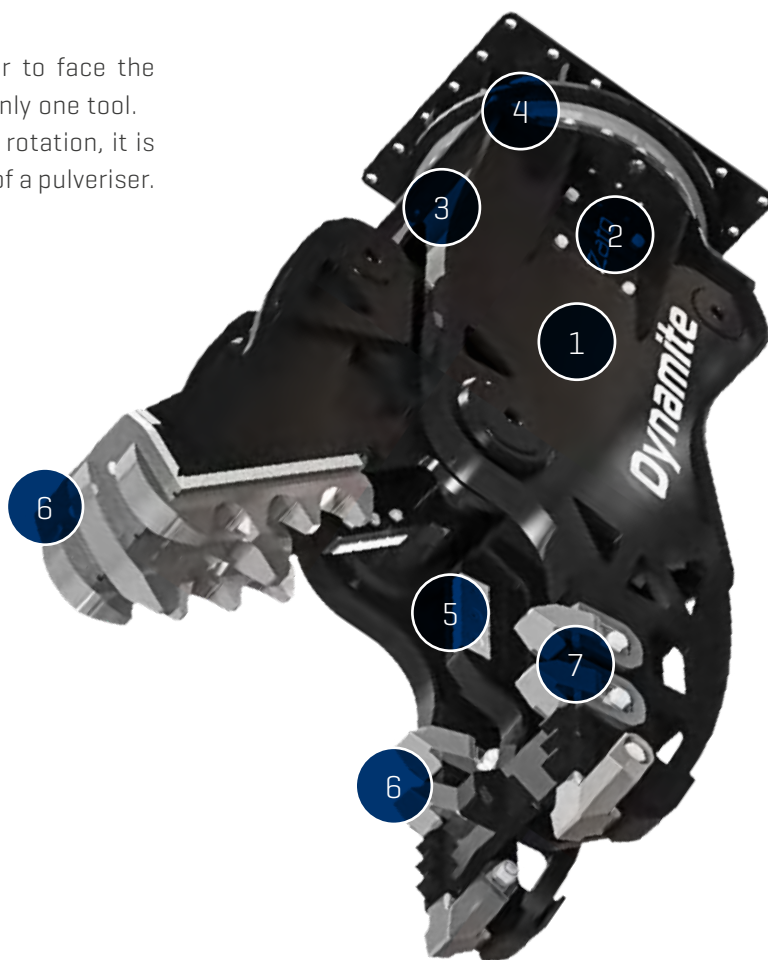
The blade is large and it can be turned to refurbish the cutting profile.

#### 6 - INTERCHANGEABLE PARTS

All parts subjected to wear can be replaced in order to restore the efficacy of the machine to 100%.

#### 7 - OPENING AND WIDTH OF THE JAW

Are wide and ideal for achieving high productivity.



### APPLICATIONS

Primary Demolition

Secondary Demolition



Recycling Solutions



**GENSCO AMERICA, INC**

***ACROSS USA 800 268-6797***

5307 Dividend Dr., Decatur, Georgia 30035 • Tel: 770 808-8711 • Fax: 770 808-8739

**GENSCO EQUIPMENT (1990) Inc**

53 Carlaw Ave., Toronto, Canada M4M 2R6 • Tel: 416 465-7521 • Fax: 416 465-4489

email: [info@genscoequip.com](mailto:info@genscoequip.com) • [www.genscoequip.com](http://www.genscoequip.com)

